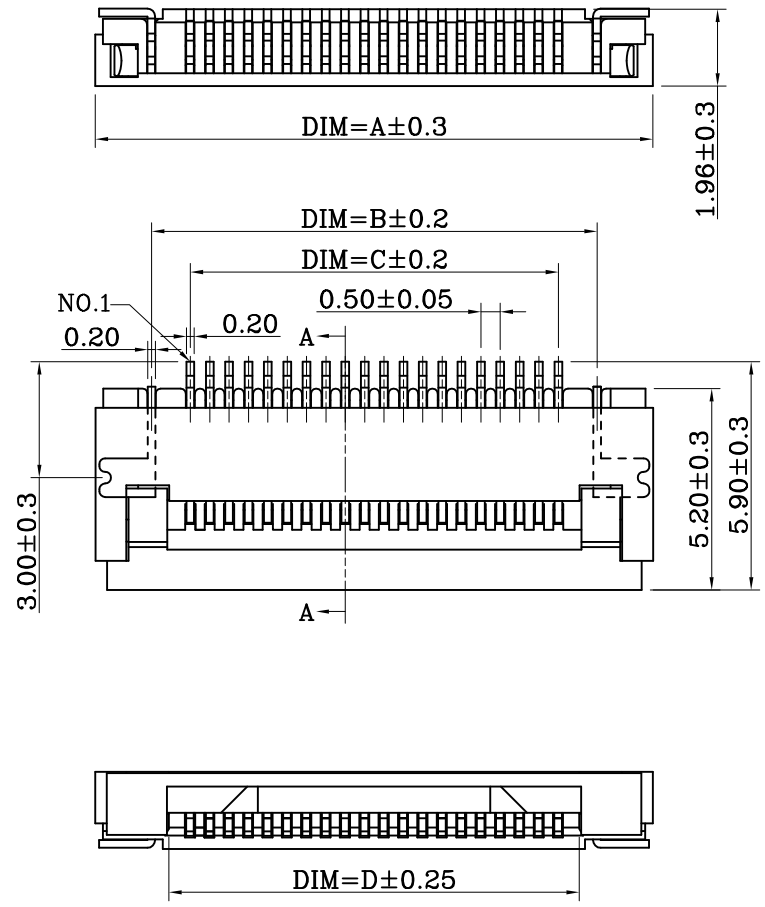
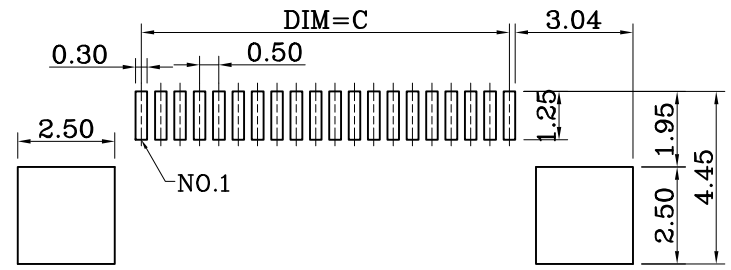
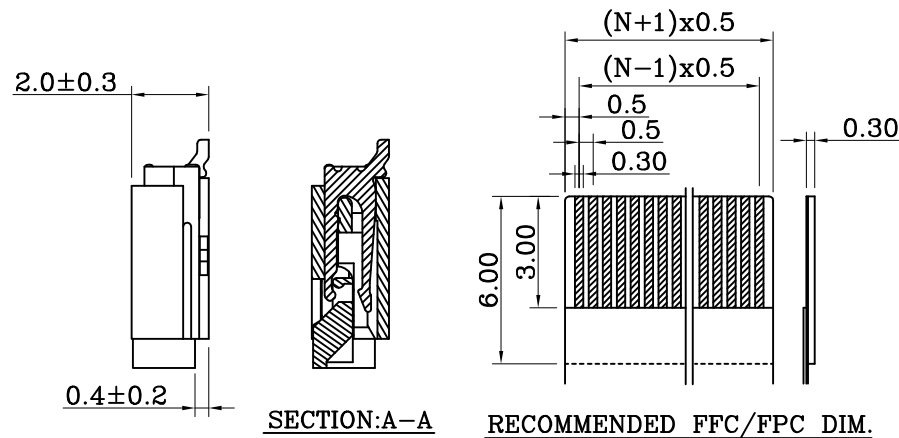


PIN NO.	DIM.A	DIM.B	DIM.C	DIM.D
60P.	34.40	31.50	29.50	30.60
59P.	33.90	31.00	29.00	30.10
58P.	33.40	30.50	28.50	29.60
57P.	32.90	30.00	28.00	29.10
56P.	32.40	29.50	27.50	28.60
55P.	31.90	29.00	27.00	28.10
54P.	31.40	28.50	26.50	27.60
53P.	30.90	28.00	26.00	27.10
52P.	30.40	27.50	25.50	26.60
51P.	29.90	27.00	25.00	26.10
50P.	29.40	26.50	24.50	25.60
49P.	28.90	26.00	24.00	25.10
48P.	28.40	25.50	23.50	24.60
47P.	27.90	25.00	23.00	24.10
46P.	27.40	24.50	22.50	23.60
45P.	26.90	24.00	22.00	23.10
44P.	26.40	23.50	21.50	22.60
43P.	25.90	23.00	21.00	22.10
42P.	25.40	22.50	20.50	21.60
41P.	24.90	22.00	20.00	21.10
40P.	24.40	21.50	19.50	20.60
39P.	23.90	21.00	19.00	20.10
38P.	23.40	20.50	18.50	19.60
37P.	22.90	20.00	18.00	19.10
36P.	22.40	19.50	17.50	18.60
35P.	21.90	19.00	17.00	18.10
34P.	21.40	18.50	16.50	17.60
33P.	20.90	18.00	16.00	17.10
32P.	20.40	17.50	15.50	16.60
31P.	19.90	17.00	15.00	16.10
30P.	19.40	16.50	14.50	15.60
29P.	18.90	16.00	14.00	15.10
28P.	18.40	15.50	13.50	14.60
27P.	17.90	15.00	13.00	14.10
26P.	17.40	14.50	12.50	13.60
25P.	16.90	14.00	12.00	13.10
24P.	16.40	13.50	11.50	12.60
23P.	15.90	13.00	11.00	12.10
22P.	15.40	12.50	10.50	11.60
21P.	14.90	12.00	10.00	11.10
20P.	14.40	11.50	9.50	10.60
19P.	13.90	11.00	9.00	10.10
18P.	13.40	10.50	8.50	9.60
17P.	12.90	10.00	8.00	9.10
16P.	12.40	9.50	7.50	8.60
15P.	11.90	9.00	7.00	8.10
14P.	11.40	8.50	6.50	7.60
13P.	10.90	8.00	6.00	7.10
12P.	10.40	7.50	5.50	6.60
11P.	9.90	7.00	5.00	6.10
10P.	9.40	6.50	4.50	5.60
9P.	8.90	6.00	4.00	5.10
8P.	8.40	5.50	3.50	4.60
7P.	7.90	5.00	3.00	4.10
6P.	7.40	4.50	2.50	3.60
5P.	6.90	4.00	2.00	3.10
4P.	6.40	3.50	1.50	2.60



MATERIAL AND FINISH:

1. Housing: LCP (UL94V-0) Ivory
2. Cover: LCP (UL94V-0) Black
3. Contact: Phosphor Bronze, Sn Plated Over Nickel
4. Fiting Nial: Brass, Sn Plated Over Nickel



僅供參考

<b>XIAN YI PRECISION CO., LTD.</b> 祥益精密股份有限公司				TITLE / 品名: 0.5mm FPC SMD Side Entry Bottom Contact RoHS				核準發行章	
PART NO / 料號: F332X-XXP-XXXX				UNIT / 單位		SHEET 1 OF 1		NO. REV / 版本	
APPROVE / 核準	CHECKED / 審查	DRAWING / 繪圖	DRAWING NO / 圖號	mm		GENERAL TOLERANCE X ±0.50 .X ±0.38 .XX ±0.20 .XXX ±0.10		1.0 圖面僅供參考, 實際尺寸以承認圖為主	
James	James	Chenrong						2011/03/02	
8	1	7	1	6	1	5	1	4	1
								日期	
								修訂內容	
								日期	